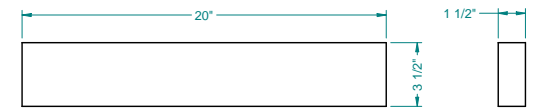


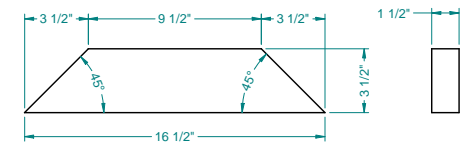
VERTICAL POST - 2 PER TARGET
1:8



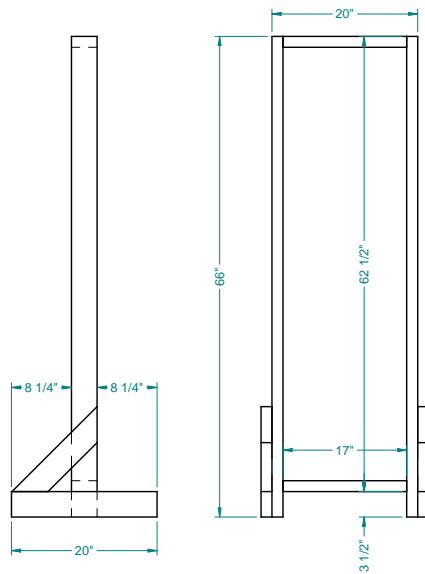
HORIZONTAL POST - 2 PER TARGET
1:4



HORIZONTAL BOTTOM LEG - 2 PER TARGET
1:4



BRACE - 2 PER TARGET
1:4



MATERIAL REQUIREMENT:
EACH TARGET CAN BE
CONSTRUCTED FROM
TWO (2) - 2X4X10' BOARDS

TOLERANCES UNLESS SPECIFIED
FRACTIONAL DIMENSIONS ± 1/32"
DECIMAL DIMENSIONS ± 0.005"
HOLE DIMENSIONS ± 0.005"

HARRIS WASTE MANAGEMENT GROUP
CORDELE, GEORGIA

DW. BY: _____ CH. BY: _____ DATE: _____
SCALE: _____ DWG. NO.: _____ REV. _____

DATE	REVISION	BY

TOTAL WEIGHT: 25# (W/O CARPET OR CARDBOARD)

Item No.	Part No.	Qty	Ext Total Wt.
1	vertical post	2	14 lbm
2	horizontal post	2	4 lbm
3	horizontal bottom leg	2	4 lbm
4	brace	2	3 lbm