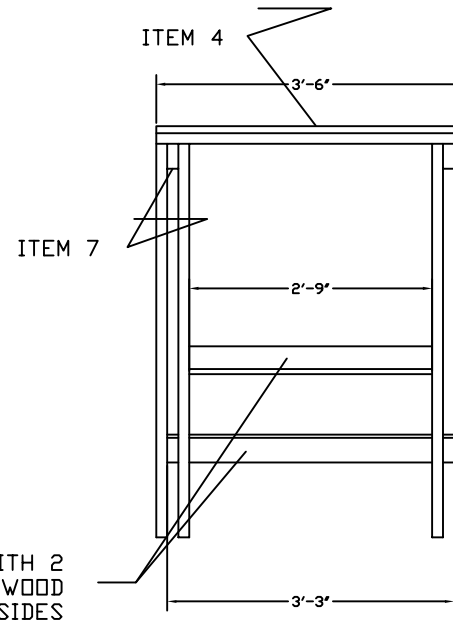
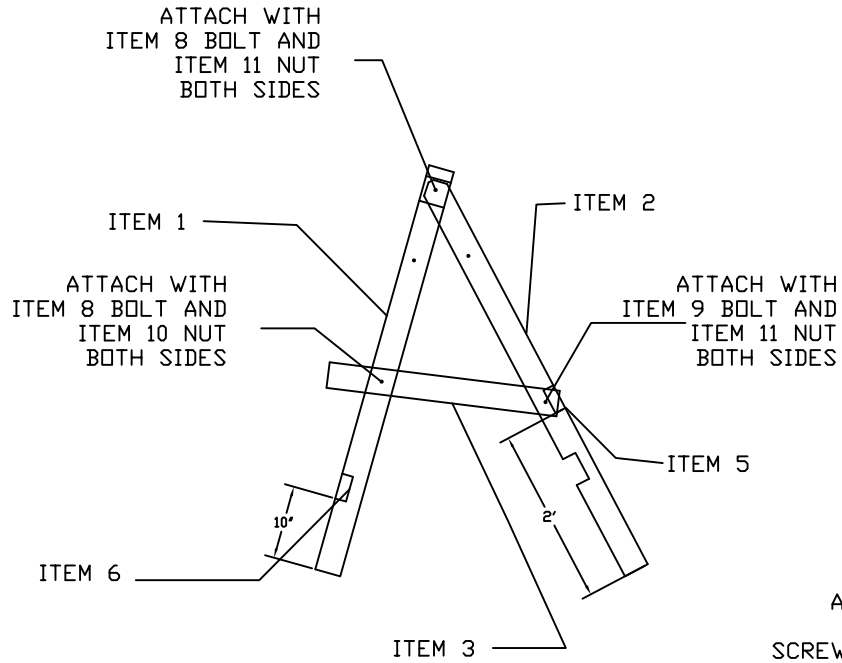


DRAWING #: 0114-1



BILL OF MATERIALS

ITEM #	DESCRIPTION	QTY.
1	2 X 4 X 7 3/8	2
2	2 X 4 X 11 1/2	2
3	2 X 4 X 7 1/2	2
4	2 X 4 X 3 1/2	1
5	2 X 4 X 3 1/2	1
6	2 X 4 X 3 1/2	1
7	2 X 4 X 3 1/2	2
8	5/16-18 X 3" HEX HEAD BOLT	4
9	5/16-18 X 4" HEX HEAD BOLT	2
10	5/16-18 WIDE NUT	2
11	5/16-18 LOCK NUT	4
12	3" WOOD SCREW	8

Quality Metals, Inc.
 100 Brewton Collins Rd
 Claxton, GA. 30417
 Ph. (912) 739-8078

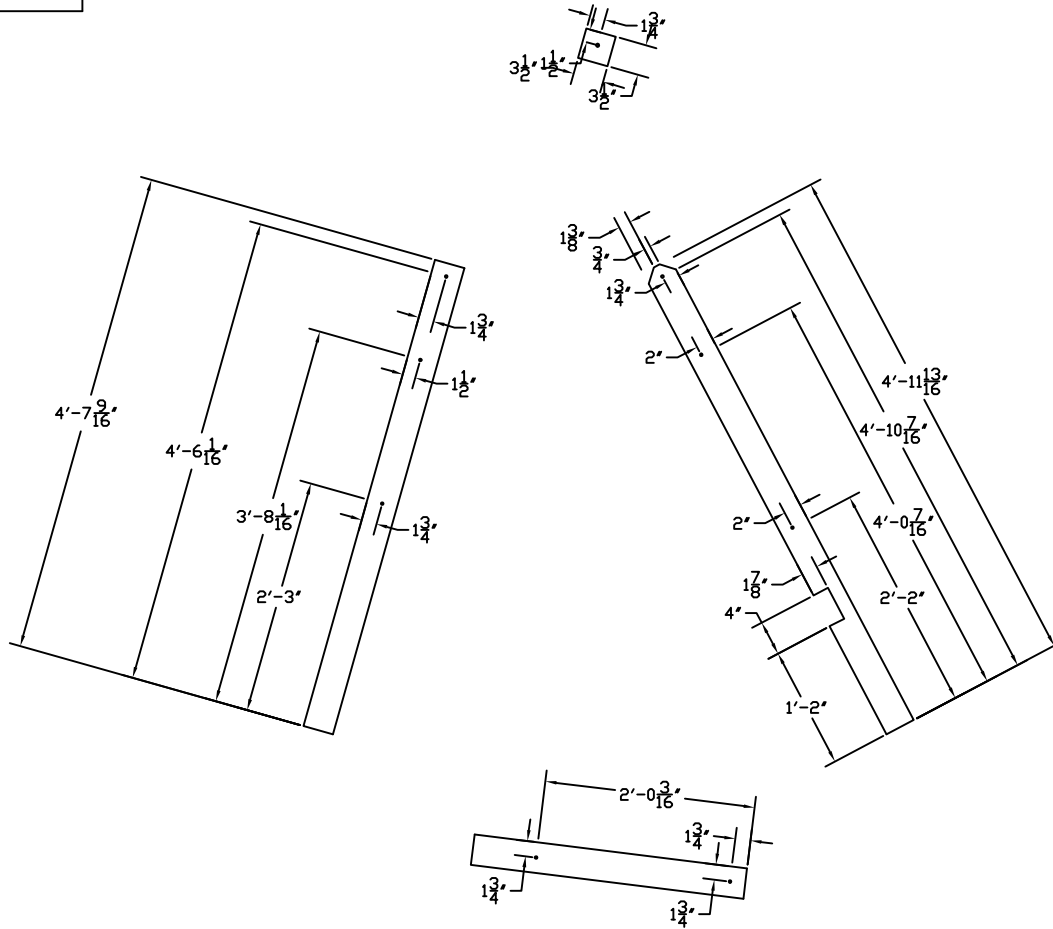
DRAWN BY: RMN

DATE: 01-11-10

NAME: ARCHERY TARGET FRAME

DRAWING #: 0114-1

DRAWING #: 0114-2



ALL HOLES DRILL THRU
DIAMETER 3/8

Quality Metals, Inc.
100 Brewton Collins Rd
Claxton, GA. 30417
Ph. (912) 739-8078

DRAWN BY: RMN
DATE: 01-11-10

NAME: ARCHERY TARGET FRAME
DRAWING #: 0114-2

BILL OF MATERIALS

ITEM #	DESCRIPTION	QTY.
1	2 X 4 X 4' 7 9/16	2
2	2 X 4 X 4' 11 13/16	2
3	2 X 4 X 2' 7 1/2	2
4	2 X 4 X 3' 6	1
5	2 X 4 X 2' 9	1
6	2 X 4 X 3' 3	1
7	2 X 4 X 0' 3 1/2	2
8	5/16-18 X 5' HEX HEAD BOLT	4
9	5/16-18 X 4' HEX HEAD BOLT	2
10	5/16-18 WING NUT	2
11	5/16-18 LOCK NUT	4
12	3' WOOD SCREW	8